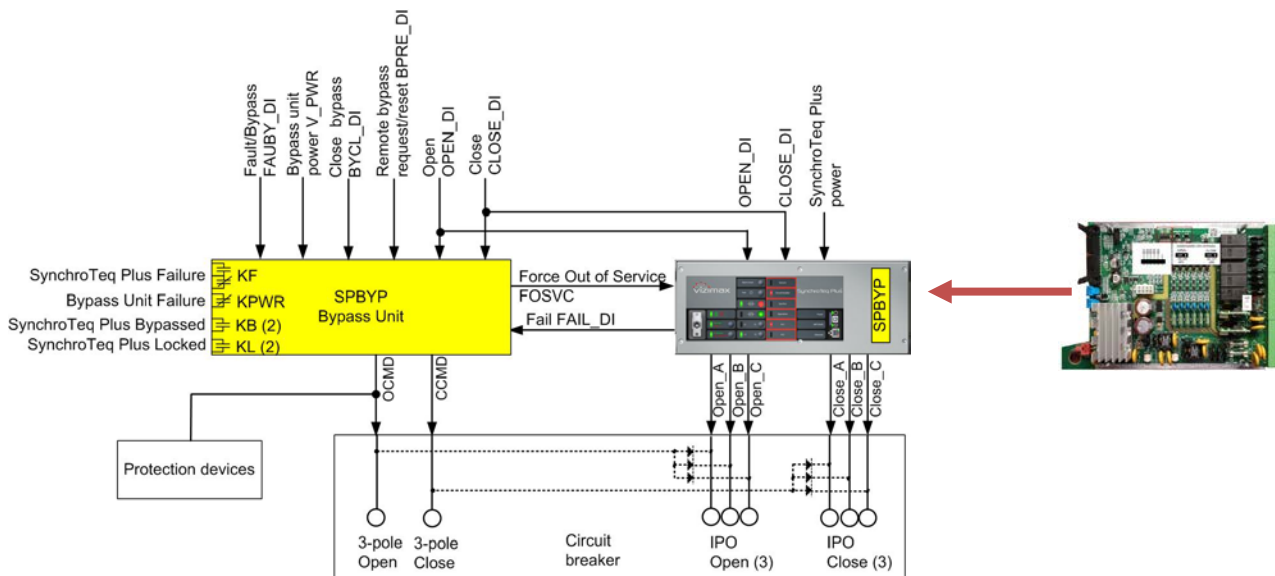




SynchroTeq Plus Bypass Module (STP 030302)

The SPBYP is a function module that automatically bypasses the Controlled Switching Device to operate the circuit breaker in the event of failure or if the unit is disabled. The module is directly installed in the **SynchroTeq Plus** chassis but its operation is kept completely independent. It monitors the **SynchroTeq Plus** operation from its watchdog output and automatically executes three-pole Open and Close operations on the circuit breaker upon detection of an unavailability of controlled switching. The Bypass Unit simplifies integration of the **SynchroTeq Plus** in capacitor banks, shunt reactors, power transformers and energy transmission lines applications.



Key Features

- **High Availability of the Circuit Breaker Switching Control** - The Bypass Module is independent and enhances the availability of the C/B switching control. It monitors the operation of the SynchroTeq Plus and automatically executes 3-pole circuit breaker Open and Close commands in the event of failure or if the unit is disabled
- **Seamless Integration with SynchroTeq Plus** - Monitoring and control of the Bypass Module are integrated on the SynchroTeq Plus unit's front panel
- **Manageability** - The Bypass module supports a wide variety of operating modes, including an automatic bypass and a manually triggered timed bypass mode. The SynchroTeq unit can be remotely bypassed at any time using an external command
- **Rack Space Saving** - No extra rack space is required since the Bypass unit is installed in the SynchroTeq Plus chassis. The wiring is done from the back of the module for ease of installation and maintenance

Ordering Information

Please select the option STP 030302 when ordering the SynchroTeq Plus unit.